

MODEL FFC600D

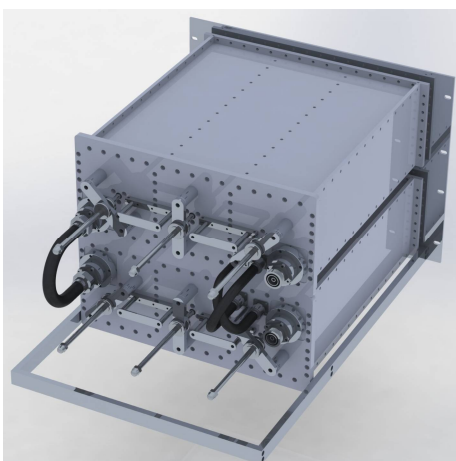
- BAND-PASS FILTER NO RACK VERSION
- SUITABLE FOR DIGITAL AUDIO BROADCASTING
- IMPEDANCE 50 Ohm
- BAND 174 ÷ 240 MHz
- SPECIAL VERSION WITH SPECIAL DOUBLE CROSS COUPLING

This six-cavity filter is used to set up starpoint combiners with very low spacing between channels.

The pass band filters was designed as an extension of our band pass combiner technology. Using our industry-leading square, cavity filter design, the filter provides a one-time-buy filtering solution for the broadcaster located at multiple-user site. The filter isolates the transmission system to eliminate spurious emissions.

TYPICAL SPECIFICATIONS

Models	FFC600D
Impedance	50 ohm
Frequency Range	174 ÷ 240 MHz
VSWR ± 150 KHz	1.1:1 Max
Insertion Loss	1.05 dB Max at f_0
	2.5 dB max at $f_0 \pm 770$ kHz (Depending by adjustment)
Return Loss ± 150 KHz	≤ -26dB
Selectivity	15 dB min at $f_0 \pm 970$ kHz
	45 dB min at $f_0 \pm 1.75$ MHz
	45 dB min at $f_0 \pm 2.2$ MHz
	45 dB min at $f_0 \pm 3$ MHz
Rejection	per customer's requirements (Typical ± 800 kHz it's even to -40dB approx.adjustable)
Group Delay Variation	Typical 950 ns max
Connectors	7-16
Max Power	600 W
Working Temperature	-20°C ÷ +50°C
Colour	Enamel Gray Ral 7001
Materials	Aluminium, Brass, Copper, PTFE, Stainless Steel, Silvering (min 12µm thickness)

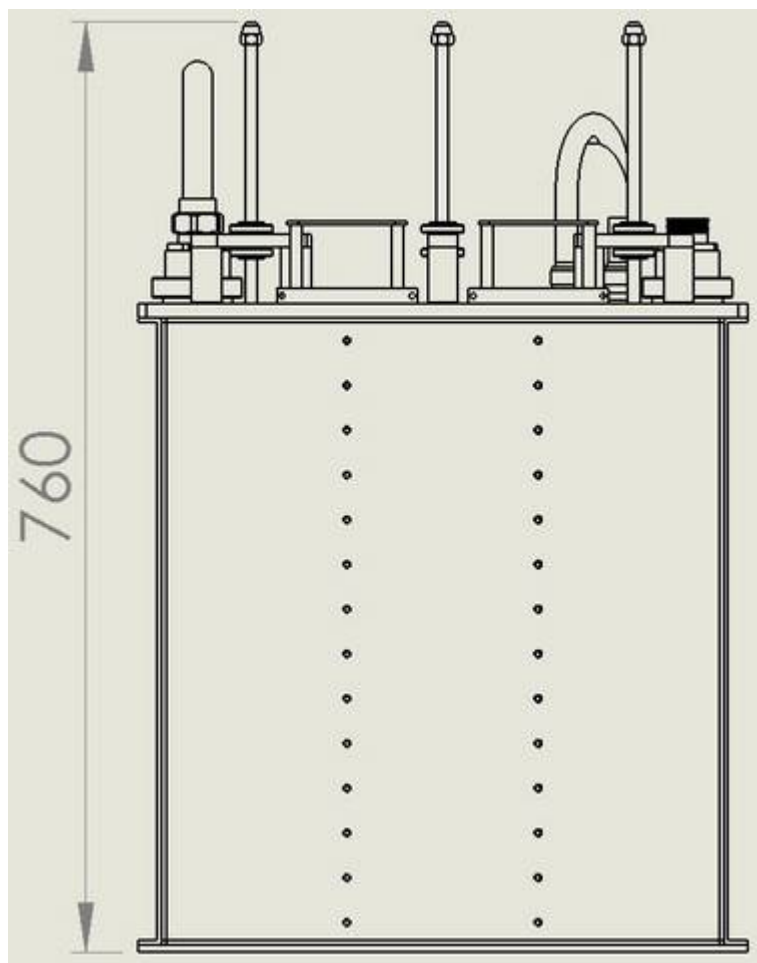
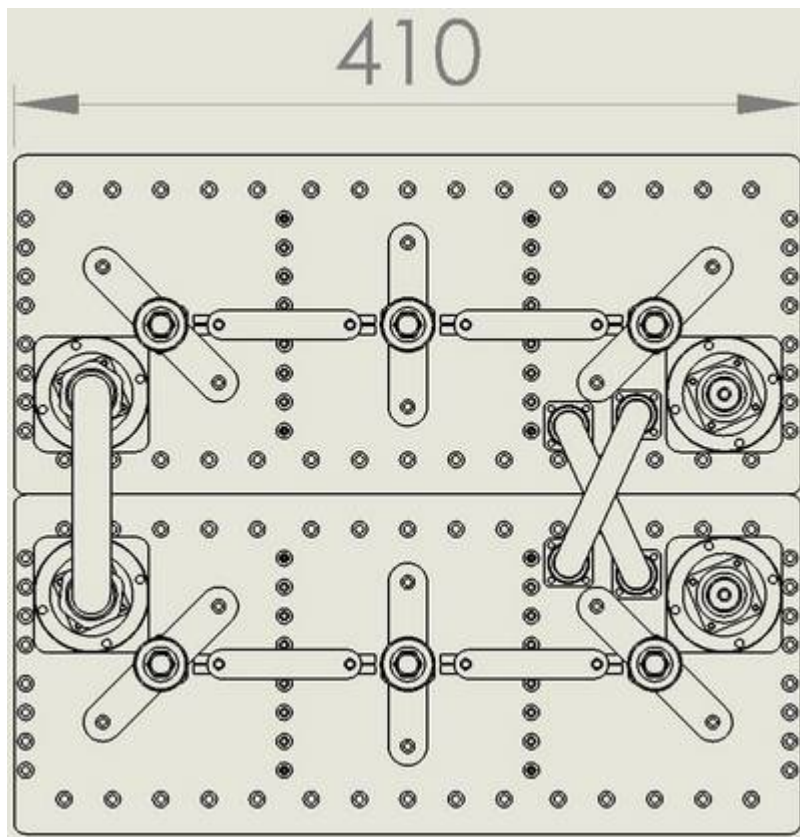


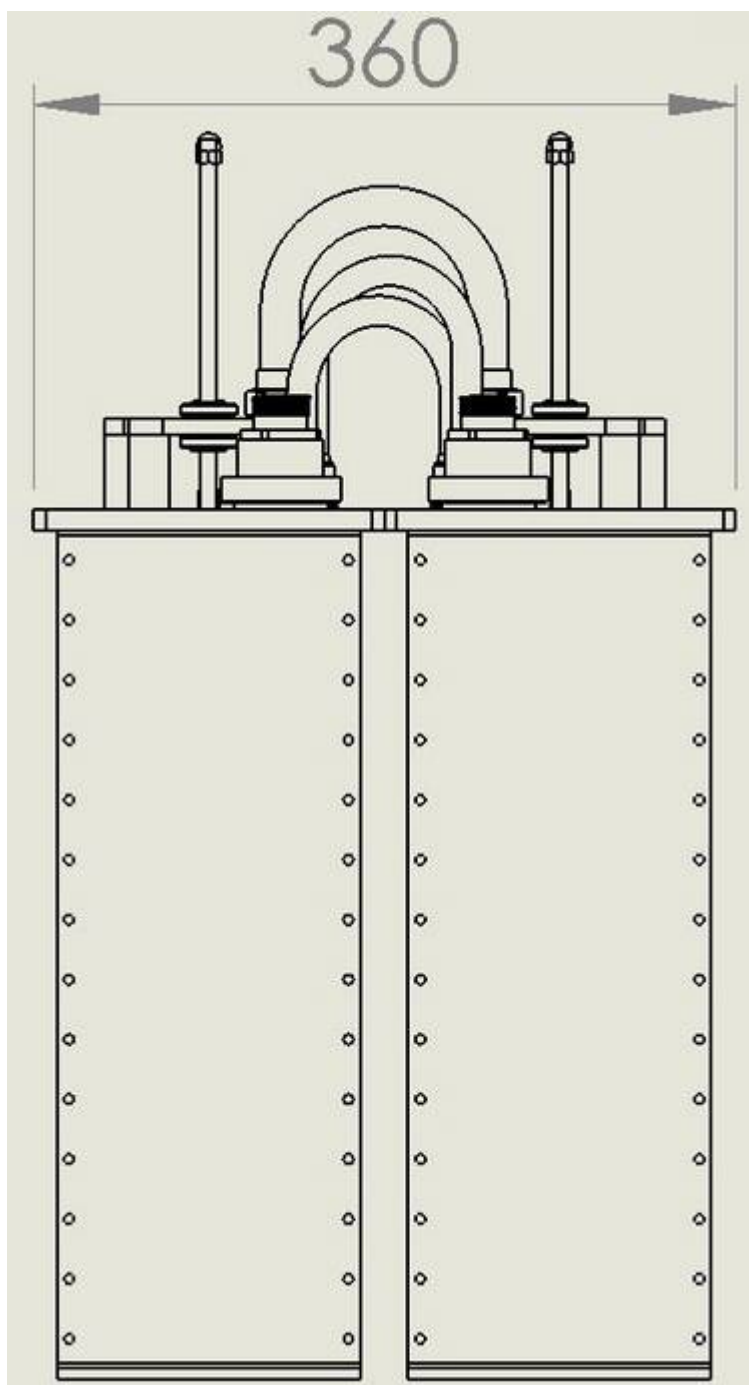
RACK VERSION
(OPTION)

RACK MOUNTING
(OPTION)

DIMENSIONS (mm)

NO RACK VERSION

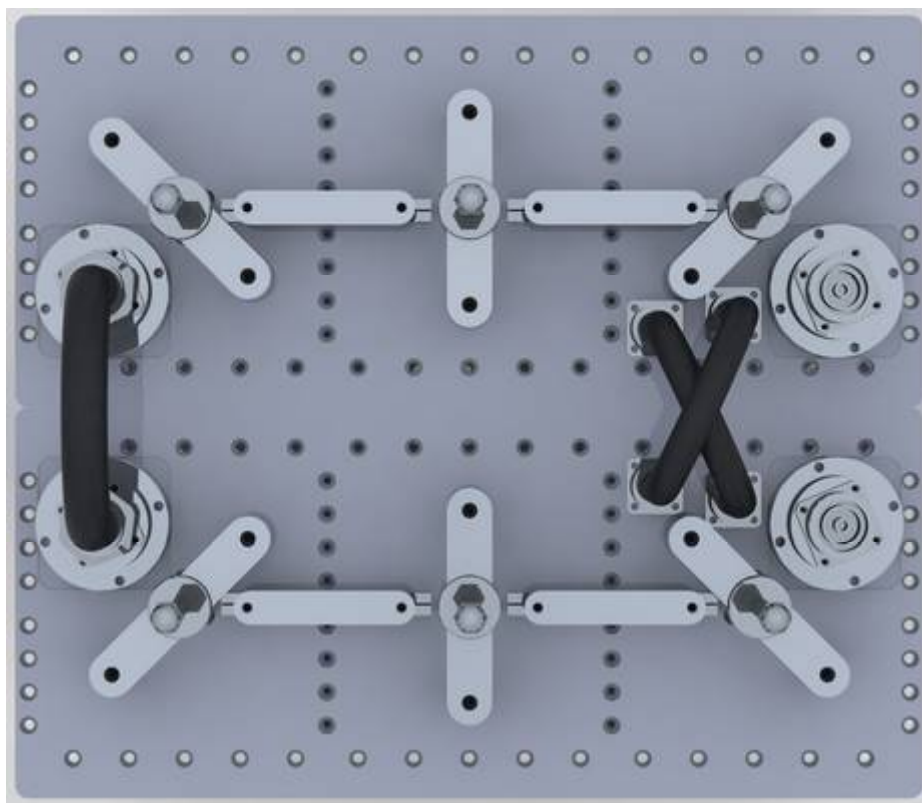


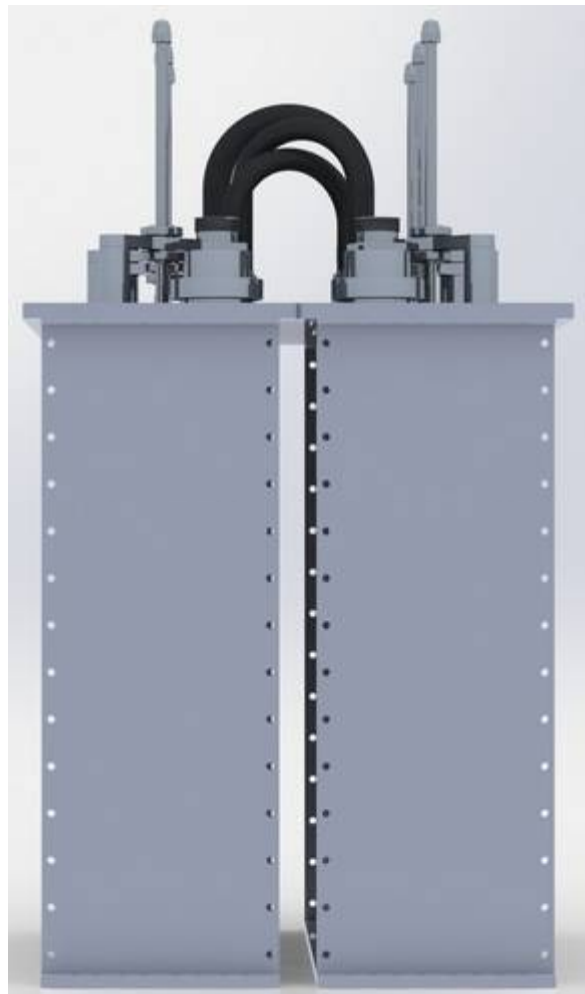


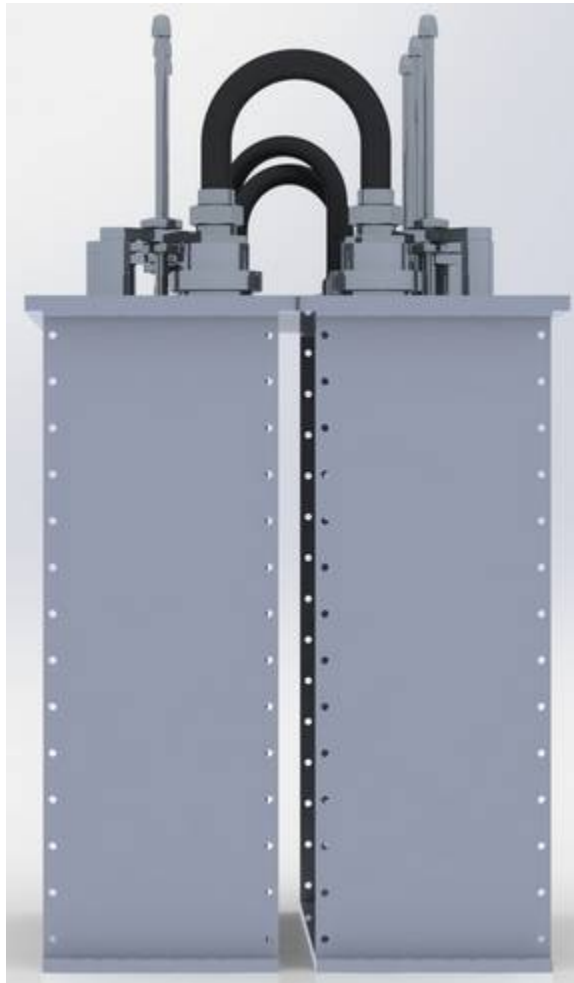
No rack version

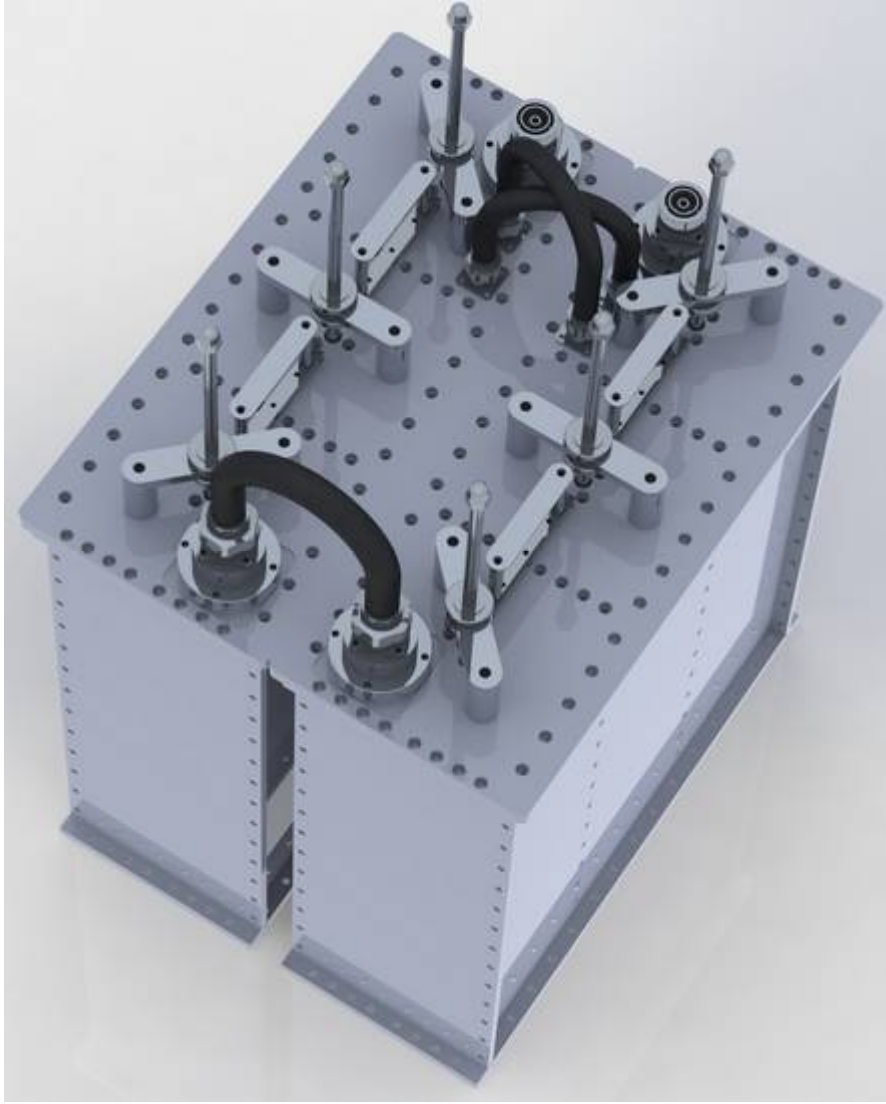
Dimensions	760(Max size)×360×410 mm (29.9(Max size)×14.1×16.1 inch) (H×L×W)
Net Weight	≅ 40 Kg Approx

VIEWS OF THE SYSTEM
NO RACK VERSION

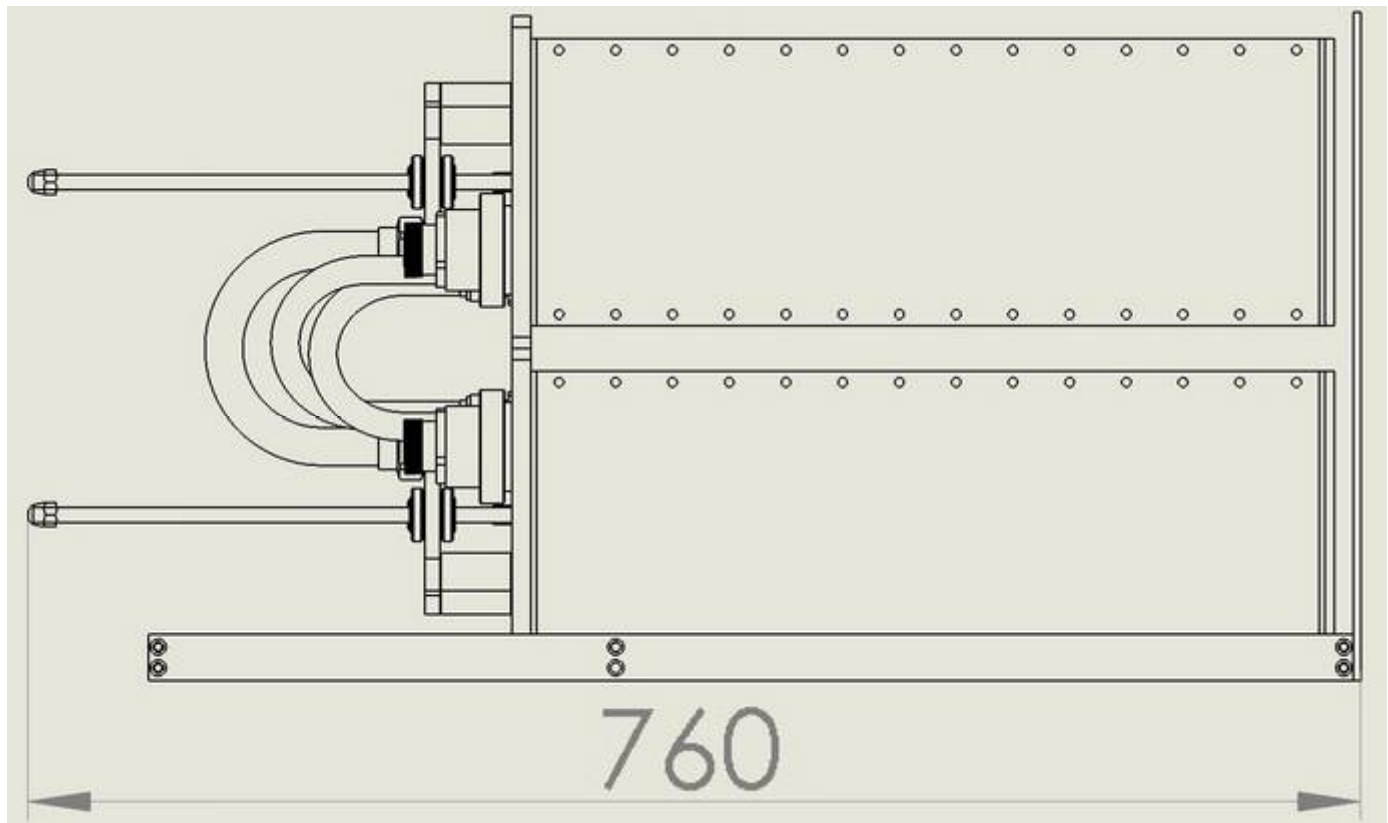
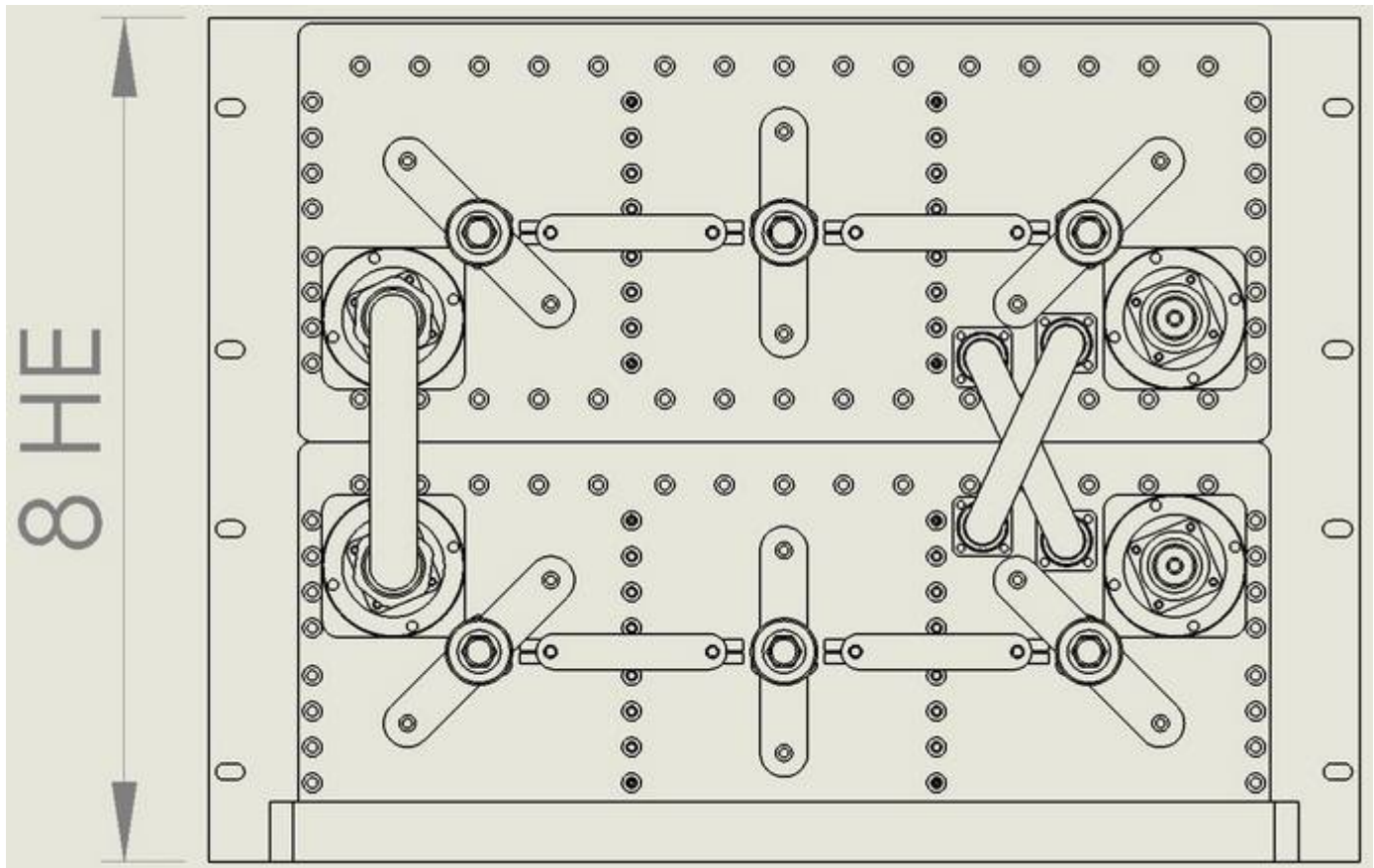


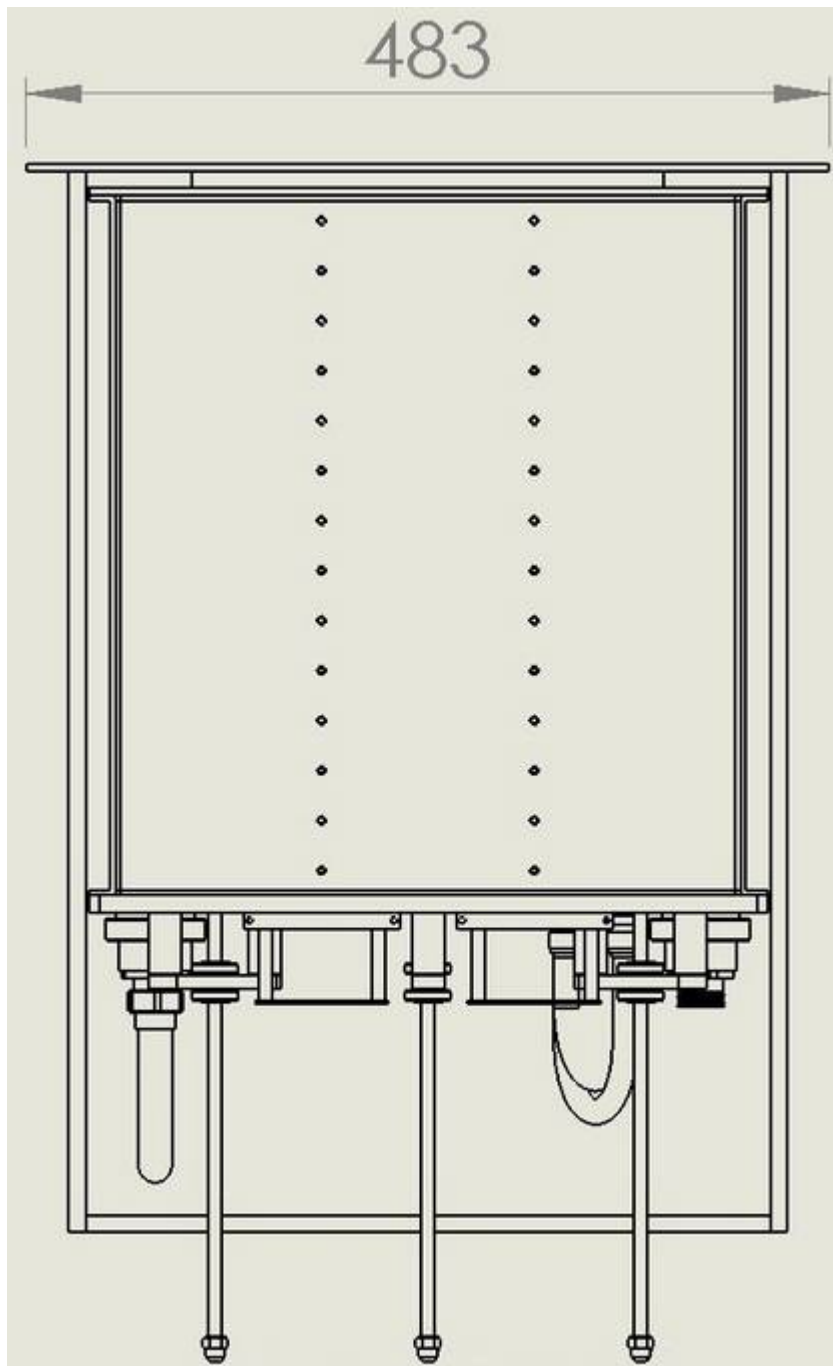






DIMENSIONS (mm)
RACK VERSION (OPTIONAL)

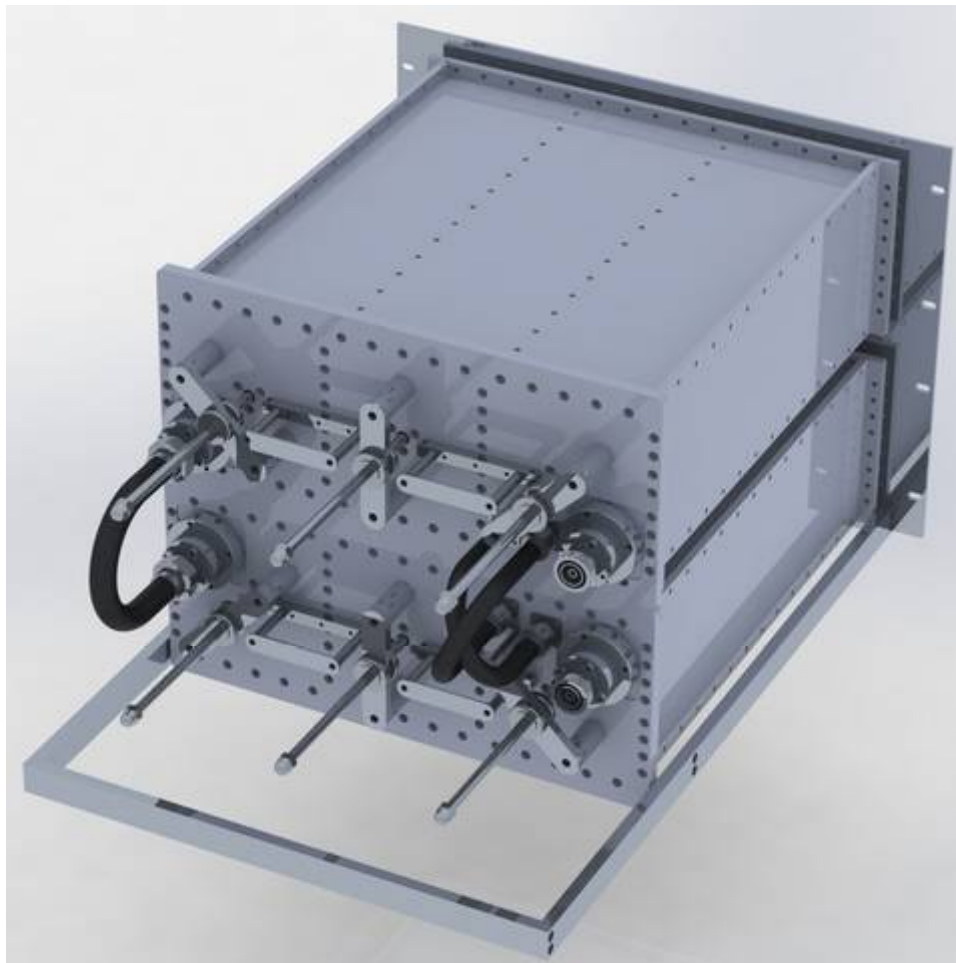


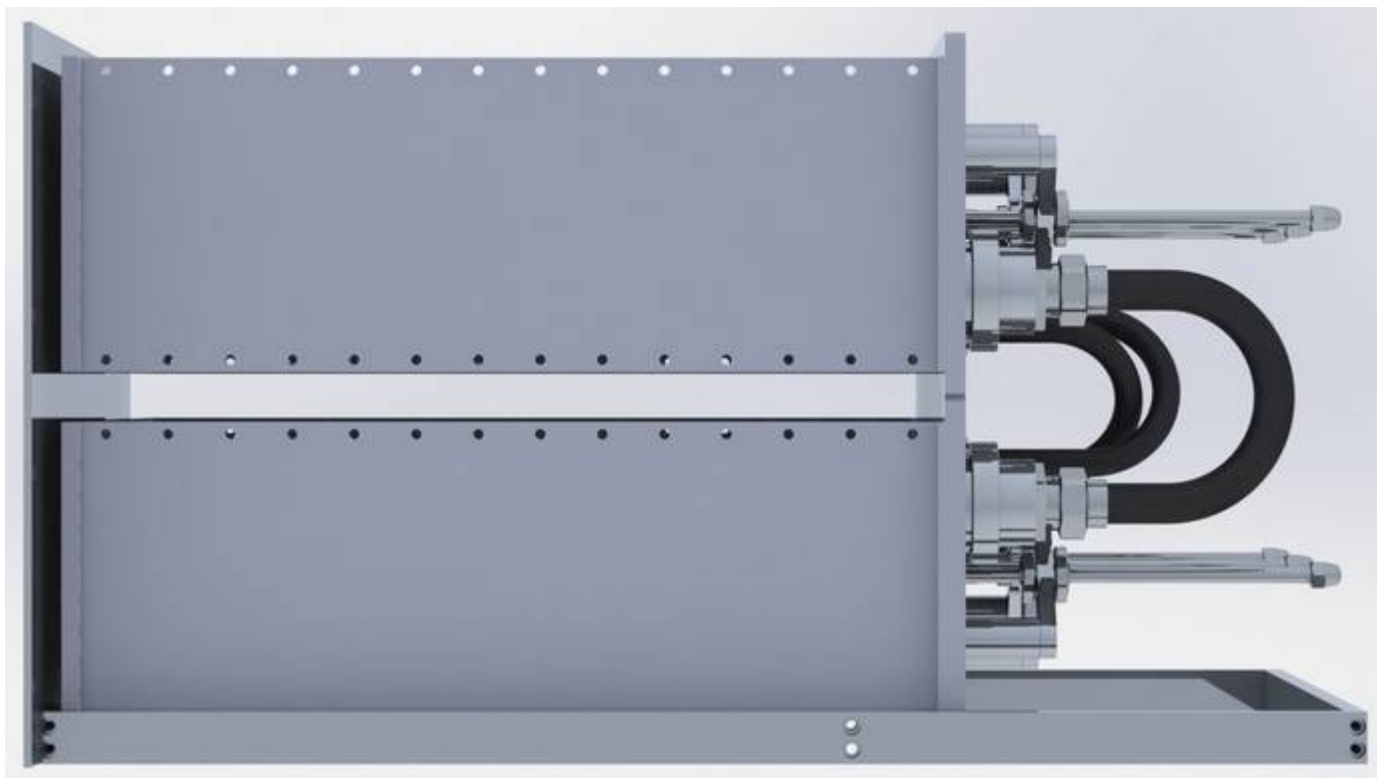
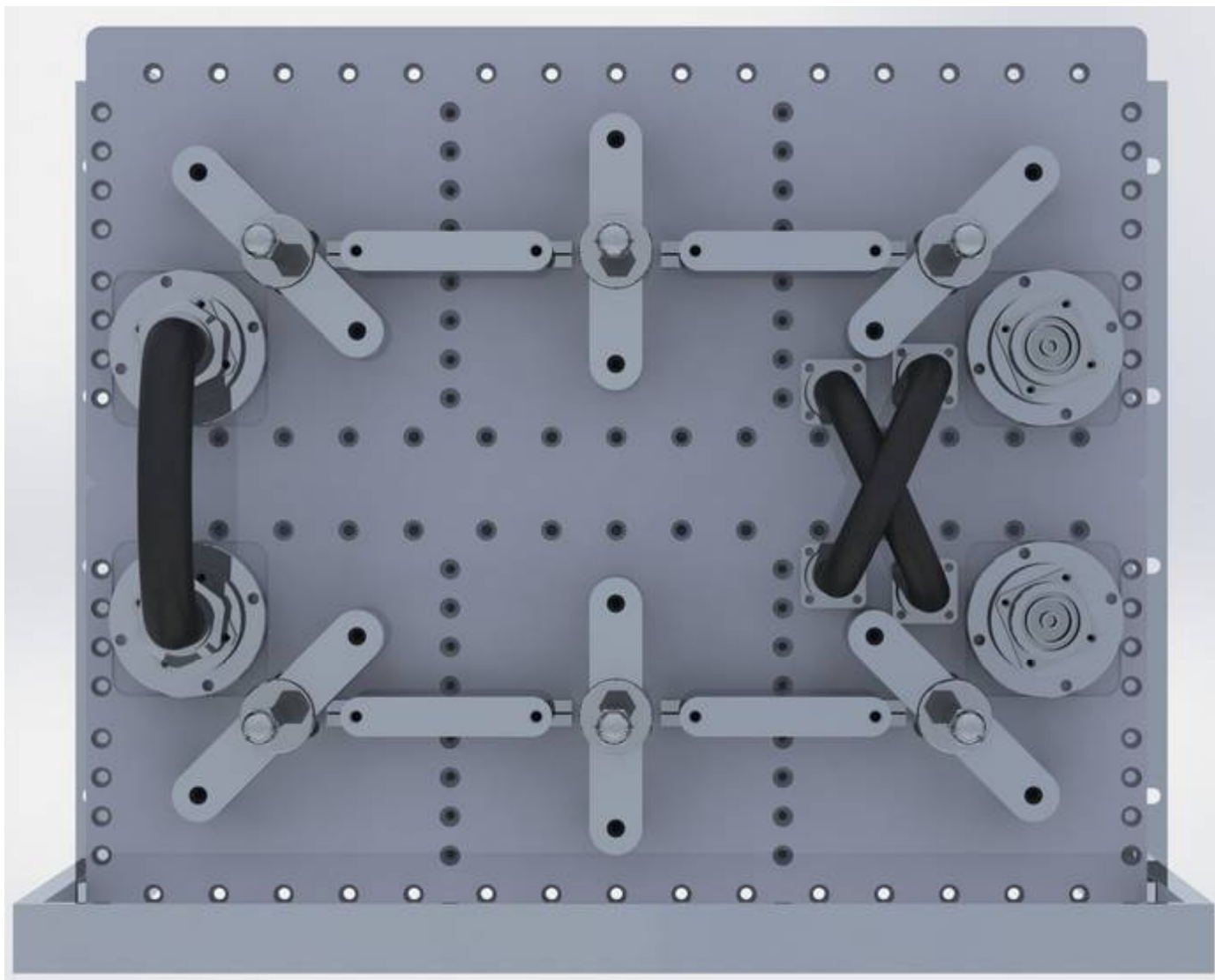


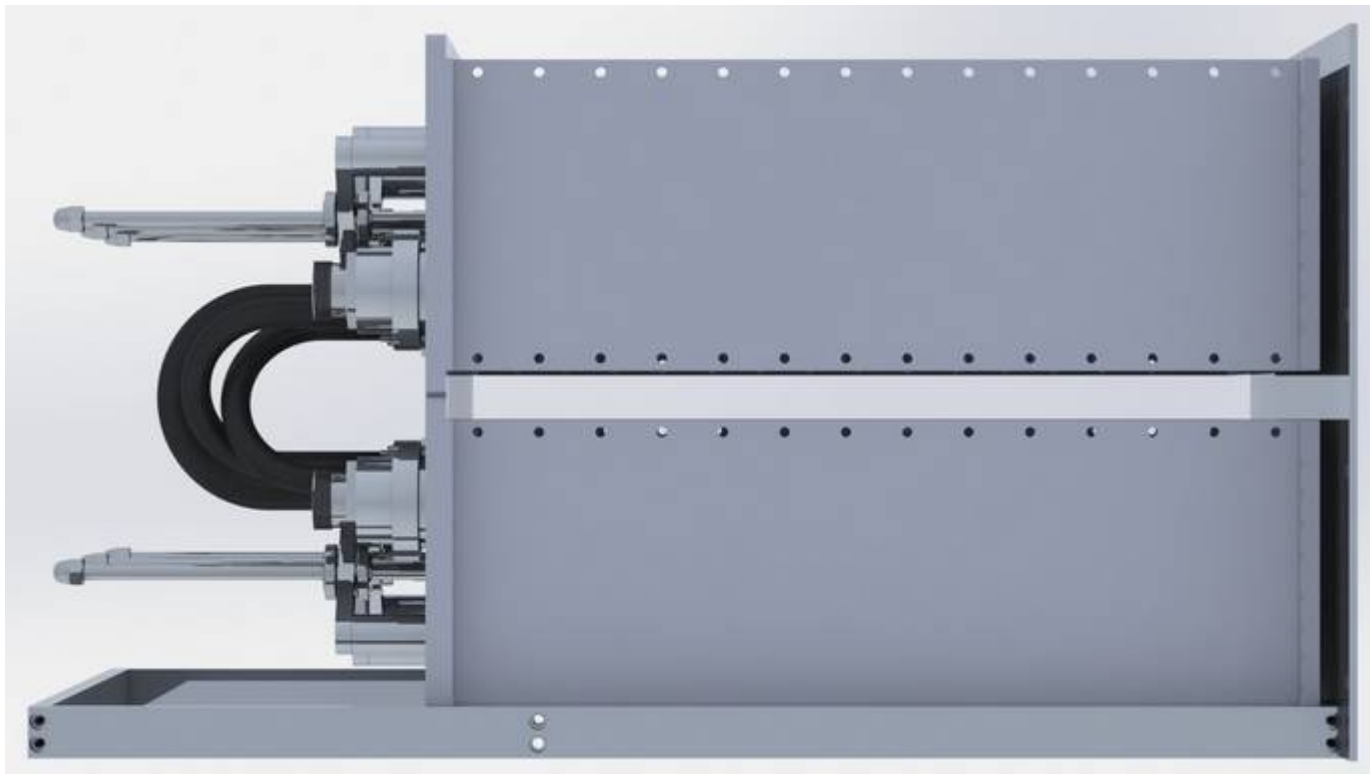
Rack version (optional)

Dimensions	8 HE (1 HE=44.45 mm) ×760(max size)×483 mm (8 HE×29.9(max size)×19 inch) (H×L×W)
Net Weight	≅ 52 Kg Approx

VIEWS OF THE SYSTEM
RACK VERSION (OPTIONAL)

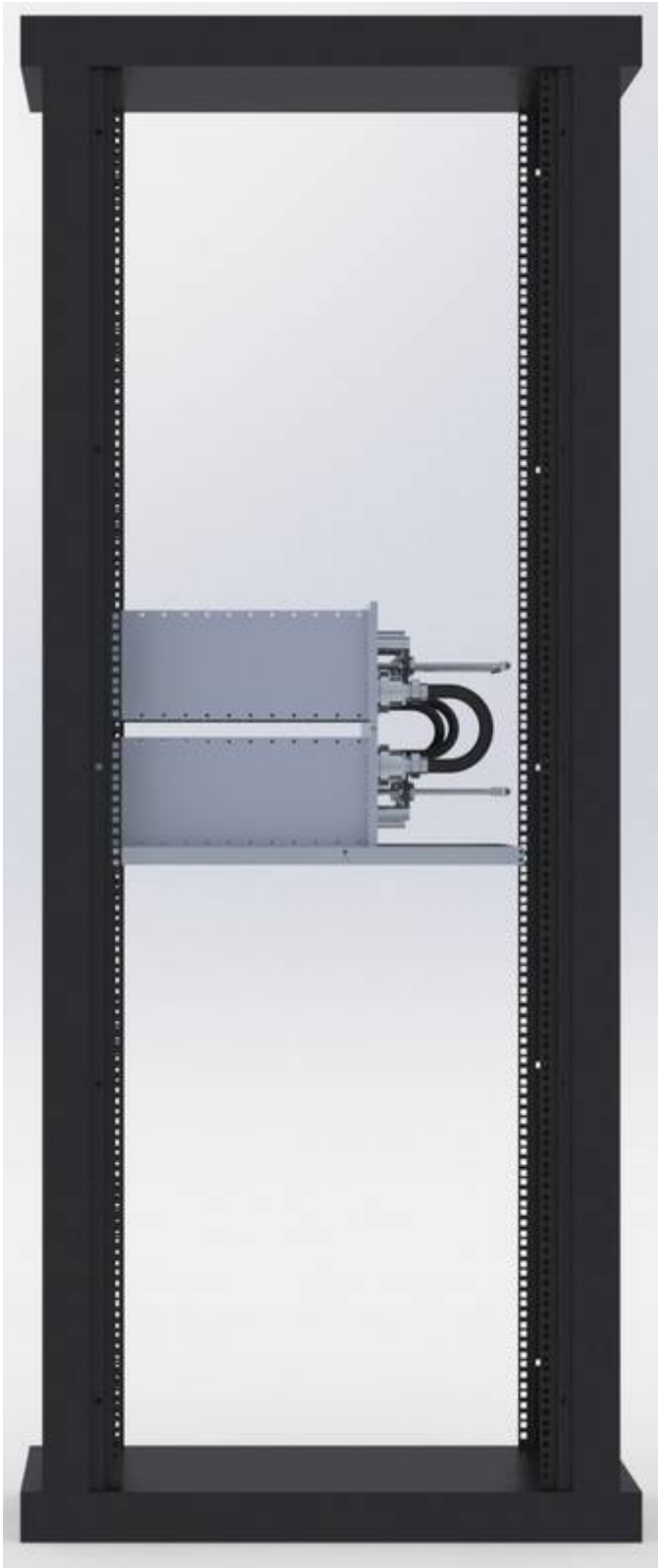






VIEWS OF THE SYSTEM
RACK MOUNTING (OPTIONAL)





The manufacturer is not liable for any lost profits, damage or claims from third parties incurred due to the use of this manual or the products described in this manual.

Il fabbricante non è responsabile per danni, perdite di profitto o qualsiasi pretesa da terze parti incorsi, dovuti all'uso di questo manuale o dei prodotti descritti nel presente manuale.



R.V.R. ELETTRONICA S.p.a. – Via del Fonditore, 2/2c – Zona Roveri
40138 BOLOGNA – ITALY
TEL.: (+39) 051 6010506 FAX: (+39) 051 6011104
e-mail: info@rvr.it – <http://www.rvr.it>



TELECFE

BROADCAST SOLUTIONS

TELECOMUNICAZIONI FERRARA SRL

Sales Office and Plants: Telecomunicazioni Ferrara S.r.l. Via Dei Calzolai, 156
44100 FRANCOLINO (FERRARA) – ITALY
TEL. : (+39) 0532.72.40.33 FAX: (+39) 0532.72.48.19
E-Mail: info@telecfe.it www.telecfe.it

The firm reserve the right to change without prior notice the information contained in this brochure. Whilst every effort is made to ensure that details are correct at time of print, the firm cannot be held responsible for any error.