

**MODEL DPA2VIII**

- BAND III VHF DIPOLE
- BROADBAND 174÷230 MHz
- 7.5 dB GAIN
- DIRECTIONAL PATTERN
- SUITABLE A COMPONENT IN VARIOUS ARRAYS
- EACH ANTENNA IS SEALED AND PRESSURIZABLE
- INPUT CONNECTOR IS NICKEL PLATED
- INTERNAL LINES ARE MADE OF SILVER PLATED BRASS
- THESE PANELS CAN BE USED IN VERTICAL POLARIZATION OR HORIZONTAL POLARIZATION TO SET UP SYSTEMS HAVING DIRECTIVE, SEMIDIRECTIVE AND OMNIDIRECTIONAL DIAGRAMS.
- SYSTEMS MADE UP WITH THESE PANELS CAN BE DESIGNED ON CUSTOMER SPECIFICATIONS



**ELECTRICAL DATA**

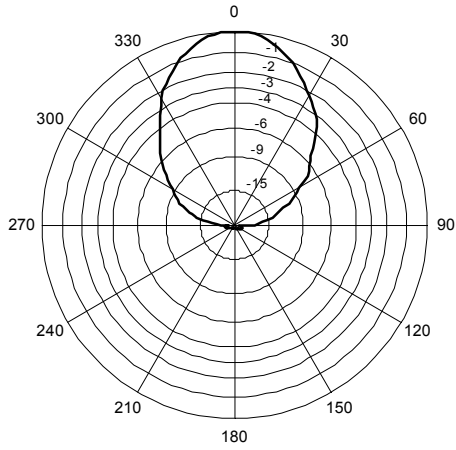
<i>Frequency range</i>	175÷230 MHz
<i>Impedance</i>	50 Ohm
<i>Connectors</i>	7/8 EIA or 7/16"
<i>Max Power</i>	2 Kw with 7/8" EIA flange
<i>VSWR</i>	≤ 1.3:1
<i>Polarization</i>	Vertical or horizontal
<i>Gain</i>	7.4 dB
<i>Half Power Beamwidth</i>	E-Plane: ± 28° H-Plane: ± 28°
<i>Lightning protection</i>	All metal parts DC grounded

**MECHANICAL DATA**

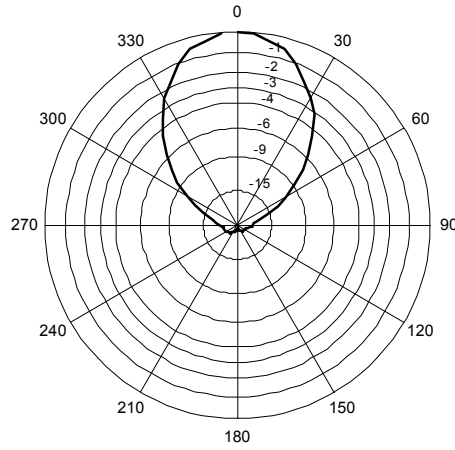
<i>Dimensions</i>	1250x873x535 mm
<i>Weight</i>	26 kg approx.
<i>Wind load at 160 kmh</i>	Frontal 527 N Lateral 76 N
<i>Max wind velocity survival</i>	180 km/h.
<i>Materials</i>	Reflector: hot dip galvanized Dipole: stainless steel Internal parts: passivated aluminum
<i>Mounting</i>	With special pipe clamps 50÷110 mm dia.

RADIATION PATTERN (MID BAND)

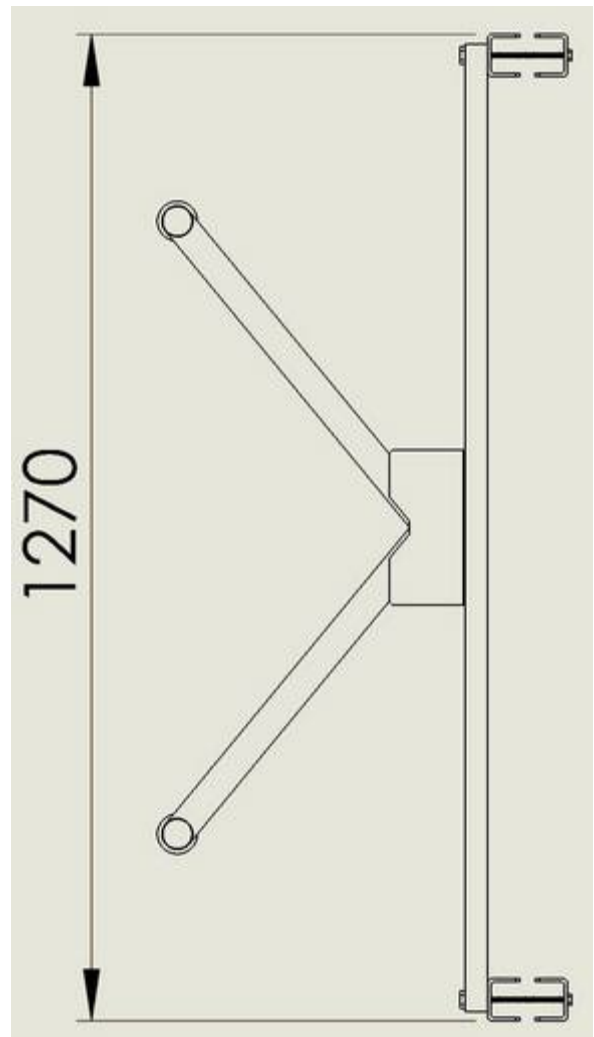
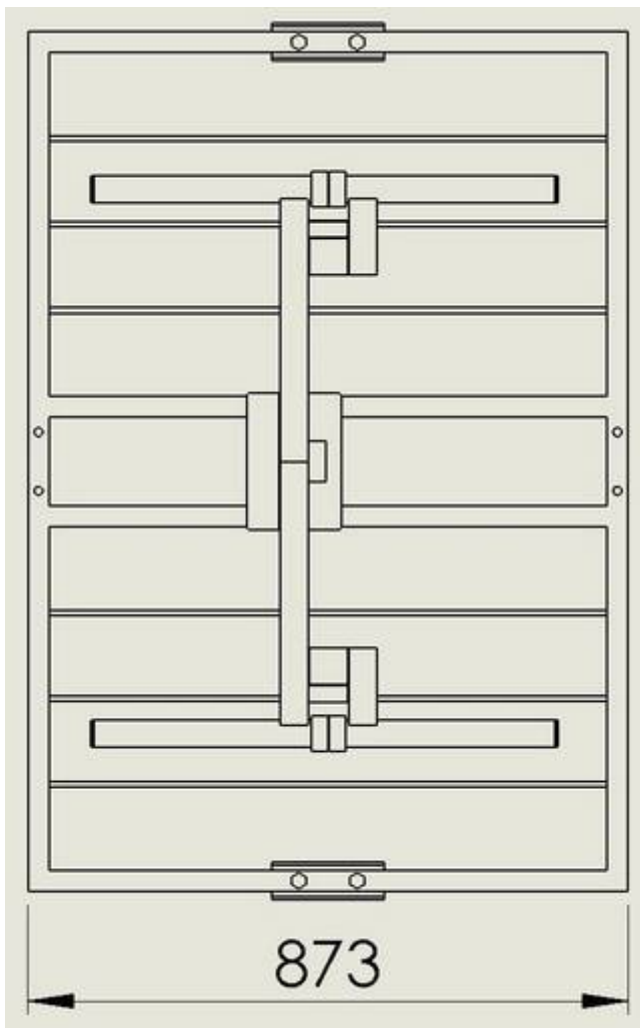
H-PLANE

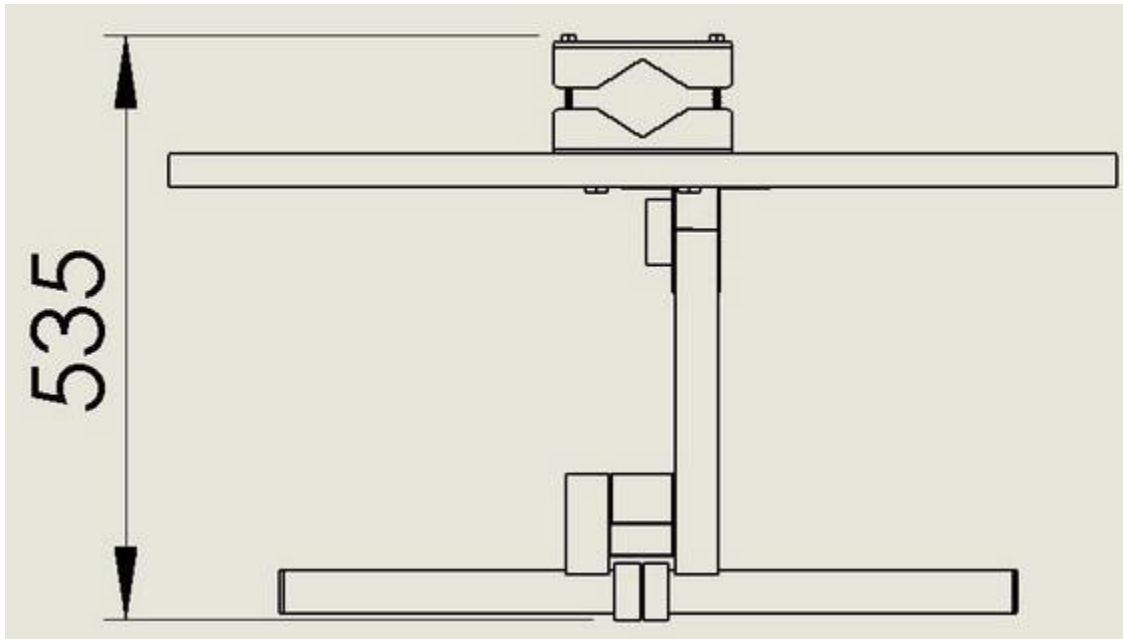


V-PLANE

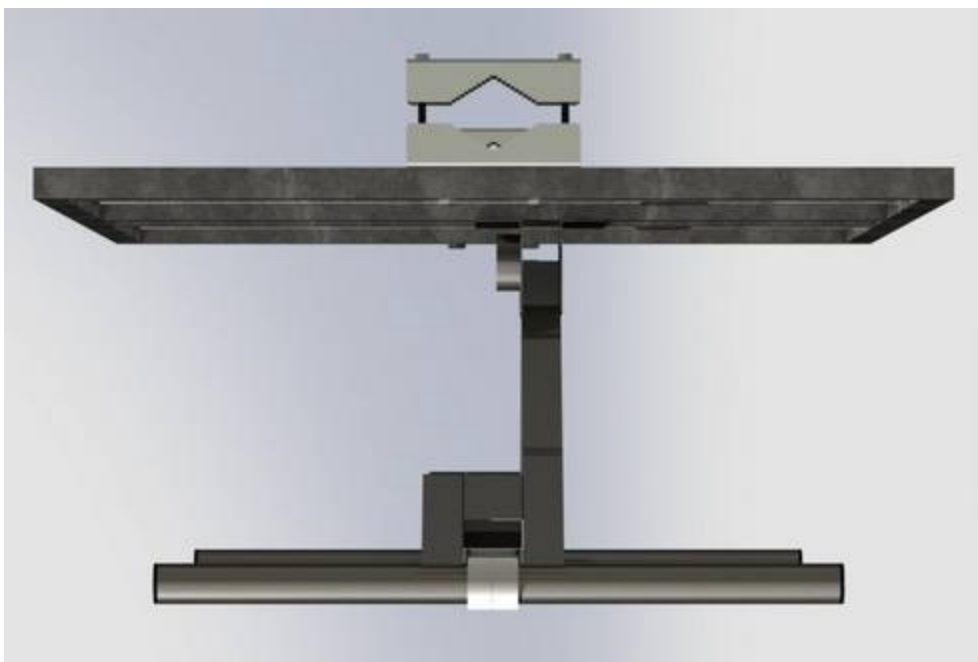


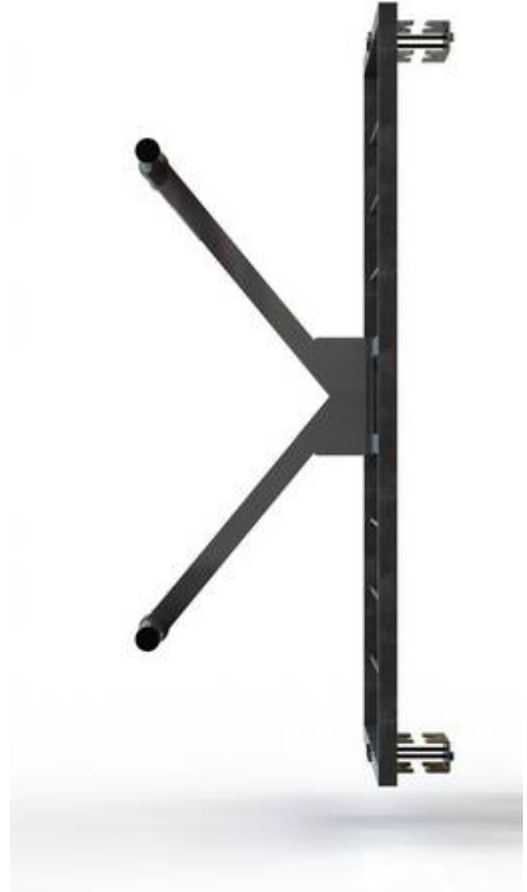
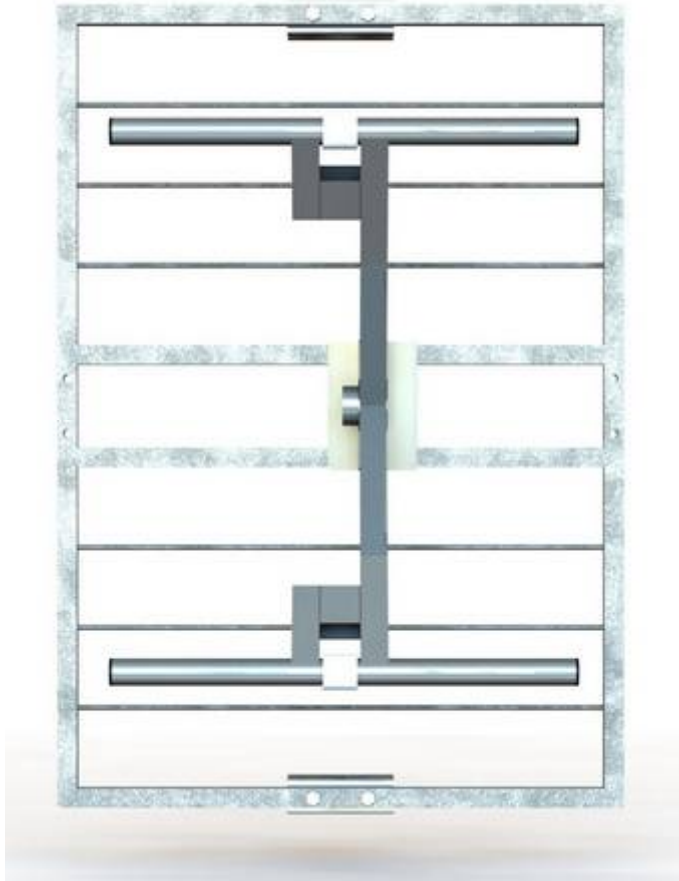
DIMENSIONS (mm)





## VIEWS OF THE SYSTEM





TELECOMUNICAZIONI FERRARA SRL

Sales Office and Plants: Telecomunicazioni Ferrara S.r.l. Via Dei Calzolai, 156  
44100 FRANCOLINO (FERRARA) – ITALY  
TEL. : (+39) 0532.72.40.33 FAX: (+39) 0532.72.48.19  
E-Mail: [info@telecferr.it](mailto:info@telecferr.it) [www.telecferr.it](http://www.telecferr.it)



RVR GROUP

R.V.R. ELETTRONICA S.p.a. – Via del Fonditore, 2/2c – Zona Roveri  
40138 BOLOGNA – ITALY  
TEL.: (+39) 051 6010506 FAX: (+39) 051 6011104  
e-mail: [info@rvr.it](mailto:info@rvr.it) – <http://www.rvr.it>

The firm reserve the right to change without prior notice the information contained in this brochure. Whilst every effort is made to ensure that details are correct at time of print, the firm cannot be held responsible for any error.